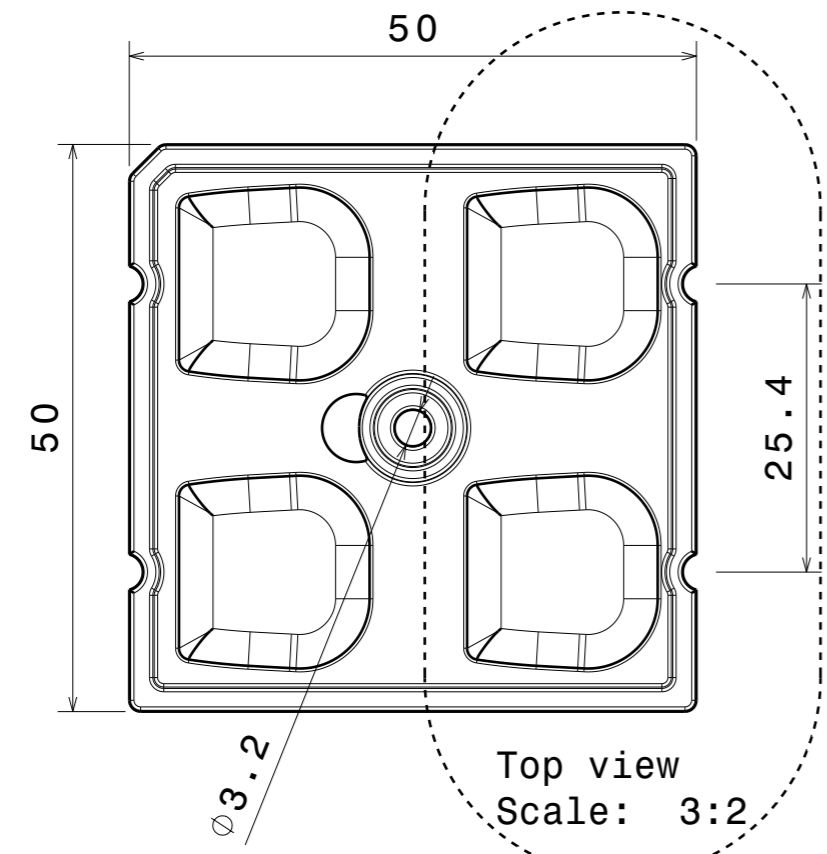
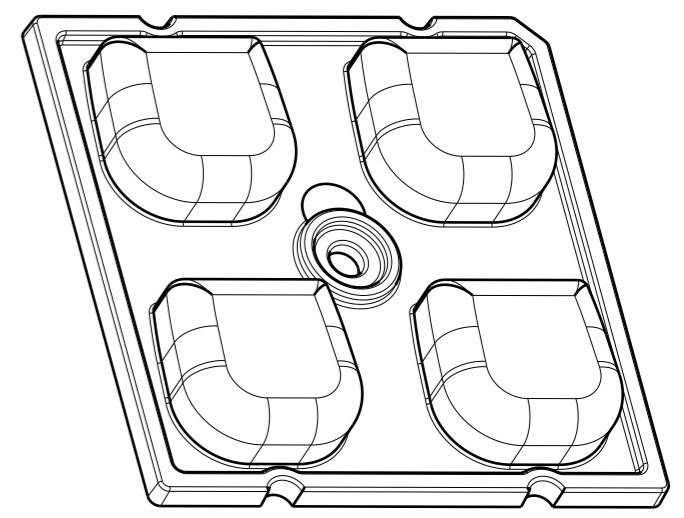
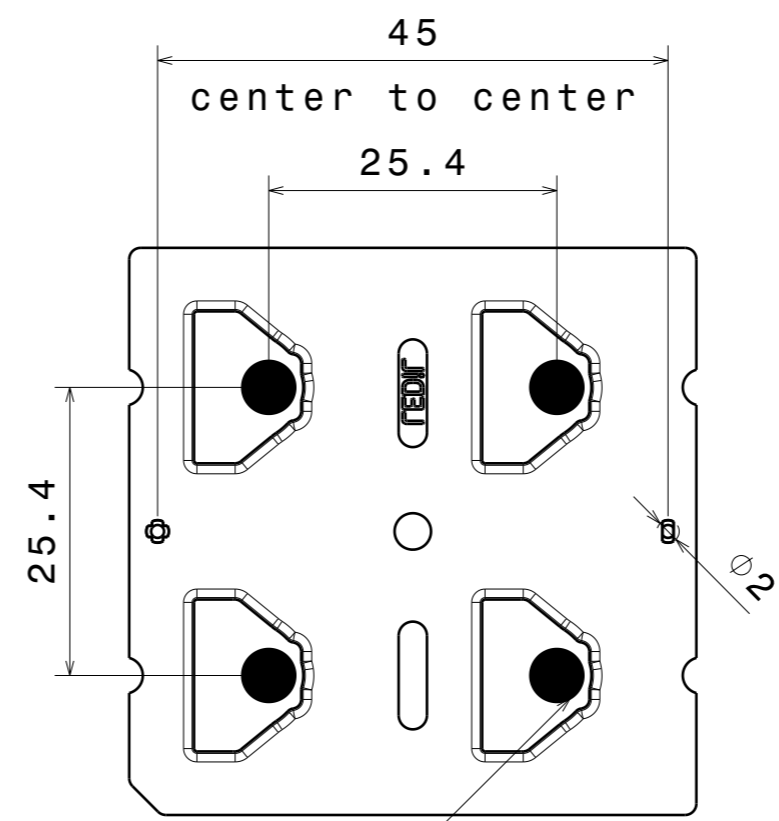
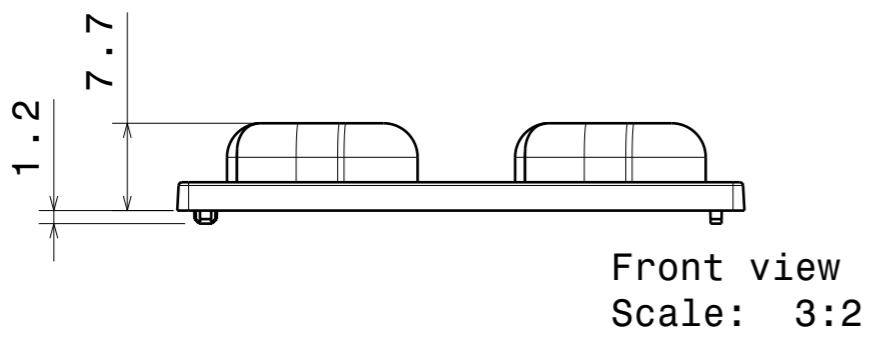


H G F E D C B A



Beam direction (street side)

INDEX	PART NO	DESCRIPTION	MATERIAL	COLOUR
1	C13805	STRADA-2X2-T4	PMMA	

Plastic moulding general tolerances according to DIN 16901-130 and applies if not otherwise shown in the drawing.

**LEDiL** Ledil Oy  
SALO  
Finland

FIRST ANGLE PROJECTION:

DRAWING TITLE  
**C13805\_STRADA-2X2-T4**

This drawing is the property of LEDiL Oy. It may not be reproduced, copied or communicated without a written agreement with LEDiL Oy."

SIZE	PART NUMBER
<b>A3</b>	<b>C13805</b>

SCALE	3:2	WEIGHT	-	SHEET	1/1
-------	-----	--------	---	-------	-----

H G B A